

ES EN DE

CE



DEKRA
CERTIFICATION
BGV C1



TL-A220

TORRE ELEVADORA
TOWERLIFT
TRAVERSENLIFT



MANUAL DE INSTRUCCIONES
OPERATING INSTRUCTIONS USER MANUAL
BEDIENUNGSANLEITUNG

PROLIFTS S.L.

V.05.23

LIFTING TOWER **TL-A200**
TORRE ELEVADORA **TL-A200**
TRAVERSENLIFT **TL-A200**



CONTENTS / ÍNDICE

Features of the TL-A220 Towerlift / Características TL-A220.....	3 - 4
English Quick operation guide.....	5 - 11
Manual de usuario Español.....	12 - 19
Bedienungsanleitung Deutsch.....	20 - 26
Sketches / Planos piezas.....	27 - 34
Spare part list / Lista de repuestos.....	35 - 37
Certifications / Certificaciones.....	38

BGV-C1
BGG-912

EC Conformity Declaration Directive 2006/42/EC of the European Parliament and the Council of 17 May 2006 on machinery, and amending Directive 95/16/EC

Find a copy of the BGV-C1 certifications at the end of this booklet.
Puede ver una copia de las certificaciones BGV-C1 al final del manual.

MADE IN SPAIN (EU)

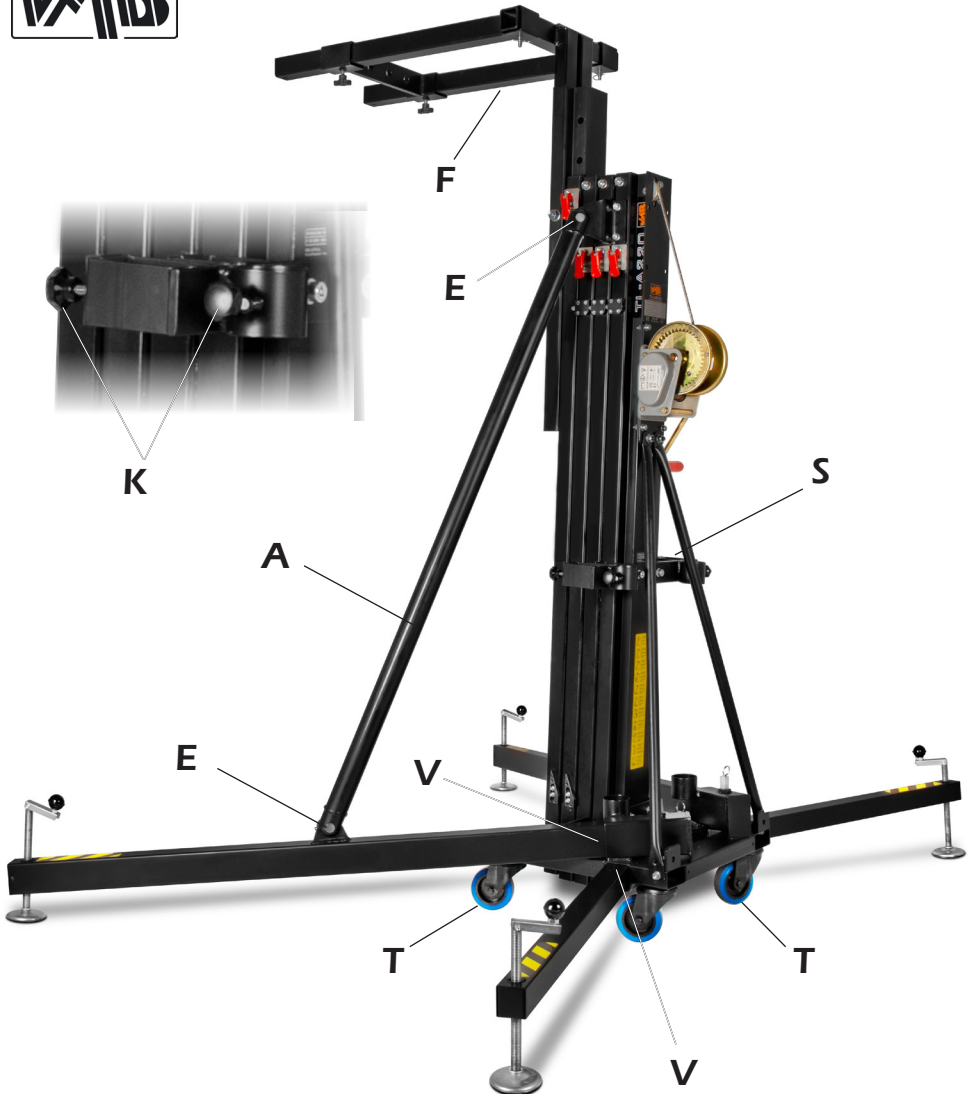
Manufacturer - Fabricante



PRO LIFTS S.L.
C/ Ciudad de Barcelona Nº19
Pol.Ind. Fuente del Jarro
46988 Paterna (Valencia)
Tlf Export: +34 96 171 81 86
Tlf Nacional: 96 171 81 83
info@prolifts.es - www.prolifts.es

Este manual de usuario y catálogo anexo de piezas de repuesto es propiedad de PRO LIFTS S.L.
Queda prohibida su reproducción total o parcial por cualquier medio que la tecnología actual permita.
Deposito legal y copyright 2014. Todos los derechos reservados.





- A:** Reinforcement struts for line array / Refuerzo especial para Line Array
- E:** Anchor points for struts / Anclaje del tirante refuerzo especial para Line Array
- F:** Load forks / Brazos de carga
- K:** Tightening knob for legs / Pomo de seguridad transporte patas
- T:** Transport wheels / Ruedas de transporte
- S:** Transport compartment for legs / Alojamiento de transporte para patas
- V:** Working compartment for legs / Alojamiento de trabajo para patas



TL-A220

ALS-C: Auto Lock System carriage / Gatillo automático carro

ALS-1: Auto Lock System 1st profile / Gatillo automático tramo 1

ALS-2: Auto Lock System 2nd profile / Gatillo automático tramo 2

ALS-3: Auto Lock System 3rd profile / Gatillo automático tramo 3

H: Handle / Manivela

L: Spirit level

N: Force on hand crank / Fuerza sobre manivela

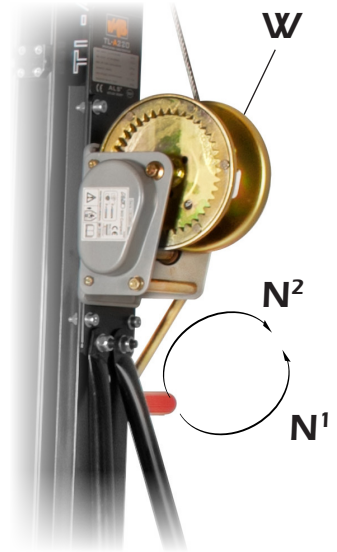
P: Leg / Pata

Q: Stabilizer / Estabilizador

SRS: Sequence Retainer System

R: Catch pawl / Gatillo bloqueo patas

W: Winch / Cabrestante



ALS-C

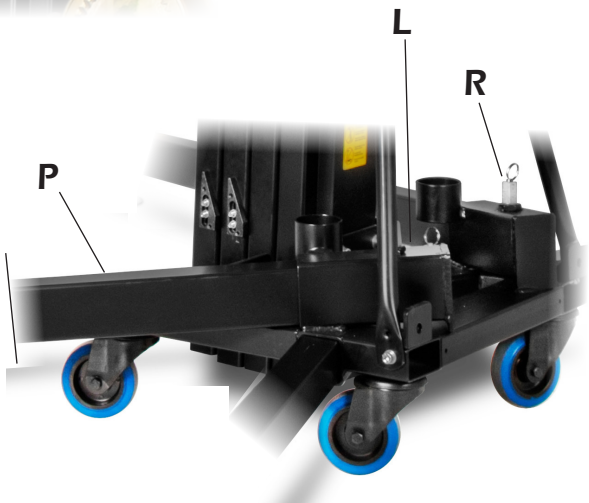
ALS-1

ALS-2

ALS-3



SRS



CONTENTS

1. Introduction.
2. Technical information.
3. Safety precautions.
4. Operation.
5. Maintenance.
6. Guarantee.

1. INTRODUCTION

Dear customer, in order to ensure a safe and reliable operation of the TL-A220 towerlift please follow the instructions in this booklet carefully. Before operating the lift, read the instructions completely and please note the technical information contained within this manual.

All VMB products undergo very rigorous testing, under strict conditions and they are monitored continuously during the manufacturing process.

In order to guarantee the lifts function and safety, only original parts from the manufacturer must be used. If any parts other than those of the manufacturer are used, or the product is modified in any way, the user forfeits all warranty rights to claim. VMB reserves the right to modify the product specifications without prior notice.

The model type, production year and serial number must be quoted in any queries or orders for spare parts.

2. TECHNICAL INFORMATION

2.1 - TL-A220 Towerlift.

2.2 - Designed to lift audio systems, such as PA systems or Line Array, up to different heights.

2.3 - Maximum load : 220 kg (485 lb).

2.4 - Minimum load: 25 Kg (55 lb).

2.5 - Security :

ALS (Automatic Lock System).

2.6 - Maximum height : 5.50 m (18').

2.7 - Folded height : 1.72 m (5.6').

2.8 - Transport surface:

0,49 x 0,49 x 1,72m (1.6 x 1.6 x 5,6')

2.9 - Shipping dimension:

0,51 x 0,51 x 1,74m (1.67 x 1.67 x 5.71')

2.10 - Work surface :

2.1 x 1.6 m (6.9' x 5.2').

2.11 - Unit weight : 116 Kg (255.7 lb).

2.12. - Load support:

Long forks (74.5 cm).

2.13 - Construction material : 6082-T6 aluminium for the main body, comprised of 4 profiles and a lifting carriage. Base and legs are made of steel profile according to DIN 2394. Catches and pulleys of ST-37 steel.

2.14 - Winch: 900 Kg. maximum load with automatic brake. Certification CE and GS TÜV.

2.15 - Cable : Steel DIN 3060. Quality 180 Kg/mm² twist resistant.

Cable diameter: Ø5 mm.

2.16 - Adjustable stabilizing feet with rubber non-slip supports.

2.17 - Safety catches to anchor the legs.

2.18 - Antirust protection, primed paint

with cured polyester dust cover. The tower can be supplied with natural aluminium finish or black (version B).

2.17 - Spirit level to adjust the tower vertically.

2.18 - Swivel wheels to transport the lift when folded.

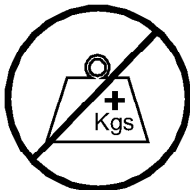
3. SAFETY PRECAUTIONS.



3.1 - The TL-A220 is a machine designed to elevate loads upwards in a vertical direction, It should NEVER be used as a platform to elevate people.



3.2 - Only place the lift on hard, flat surfaces always checking that it is in a vertical position by using the bubble level indicator (**L**) found on the base. Adjust the leg stabilizers (**Q**) by turning the handles (**H**) to level if necessary. NEVER use wedges or other foreign objects to balance the lift.



3.3 - The maximum load indicated on the characteristics label and the instructions manual should not be exceeded.



3.4 - This lift should NEVER be used to elevate a load that has not been properly checked. It is necessary to verify that the load is correctly supported and centred on the appropriate lift support so that the weight of the load will only elevate in a vertical direction.



3.5 - Check that the legs (**P**) are placed and set-up correctly with their safety pins (**R**) inserted and locked.



3.6 - NEVER use the lift on a vehicle or any other mobile surface.



3.7 - If there is a possibility of strong winds or gusts, place the lift on the ground firmly and secure it with the use of straps. NEVER attach a strap to a vehicle or any other object that can possibly be moved.



3.8 - NEVER move the lift whilst it is carrying a load. It is not advisable to carry out any type of horizontal movement even small positional adjustments.



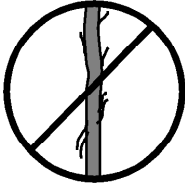
3.9 - NEVER allow any team member below the load or anybody else in the lifts operating zone.



3.10 - Take care with all obstacles above the lift and its extension zone such as cornices, balconies, and luminous signboards. It is very important to avoid the presence of all types of cables below the extended lift.



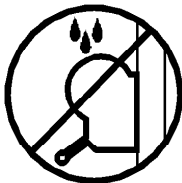
3.11 - Do not use stepladders on the lift or use it as a support for them.



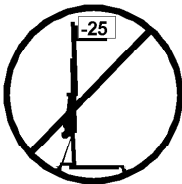
3.12 - Before using the lift, check the condition of the cable. The cable should not have broken threads or show any signs of crushed/flattened areas. NEVER use faulty cables, always change them if there is any doubt. Only use VMB steel cables; reference: DIN 3060. Quality: 180KG/mm and torsion resistant.



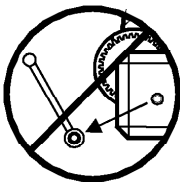
3.13 - All sections must be lowered first, and the legs placed in its transport position, before transportation.



3.14 - Do not grease or lubricate the winch's braking mechanism. The brake disks have been greased with a special heat and pressure resistant solution. Other products should not be used to avoid negative effects regarding the braking mechanism.



3.15 - The minimum load to avoid problems regarding the braking mechanism is 25Kg. Without this load the brake will not work.



3.16 - NEVER take apart the crank of the winch when the lift is carrying a load or extended.



ORIGINAL

3.17 - Only original replacement parts should be used.

4. USER INSTRUCTIONS.

4.1 - Place the lift on a firm, flat surface in the area it is to be used with the help of the transport wheels (**T**).

4.2 - Untighten the transport knobs (**K**) and remove the legs (**P**) from their transport compartment (**S**) and fully insert them into their working positions (**V**) checking that they are fixed by the pins (**R**). Remove the reinforcement struts (**A**) as well and place them in their anchor points (**E**), fix them with their corresponding pins and clips.

4.3 - Check that the lift is in vertical position using the spirit level (**L**) at the base of the tower, adjust the stabilizer (**Q**), turning the handle (**H**) if necessary.

4.4 - Release the forks (**F**) and place them in its working horizontal position ready to take the load on them. Insert the pins to block the forks.

4.5 - DO NOT OVERLOAD THE LIFT. MAXIMUM LOAD IS 220 kg (485 lb)

The lift should NEVER be overloaded. Safety at work is the most important issue. Place the load onto the lift using an adequate VMB support according to the

need, use so that the weight of the load will only be elevated in a vertical direction. The minimum load is 25 Kg.

4.6 - How to place the load: Always load as close to the tower as possible.

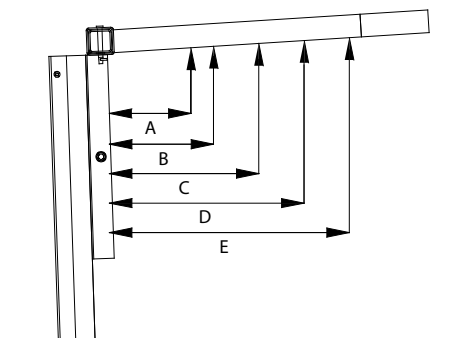
The maximum load diminishes according to the distance from the body of the tower as illustrated in the diagram **4.6.1**, which shows the load on the gravity centre with distances to the lifting carriage at a maximum lifting. Use a VMB adaptor if necessary.

CAUTION

When two towers are used to elevate a truss bridge, or many towers to elevate a structure of any type, it is almost impossible that two or more people co-ordinate the winches elevating or lowering the loads, at exactly the same pace. At a certain point each tower will be extended to different height. For this reason it is necessary that the structure does not stretch and allows for these differences.

With a rigid fixation and if the level difference is significant, the force generated from the handle of the winch will deform the structure and apply a lateral force to the lifts causing them to break and block.

Diagram 4.6.1



	Distance from the load's center to the axel of the tower	Maximum load
		TL-A220
A	50 cm (1.64')	220 kg (485 lb)
B	55 cm (1.80')	200 kg (441 lb)
C	60 cm (1.97')	183 kg (404 lb)
D	65 cm (2.13')	168 kg (370 lb)
E	70 cm (2.30')	120 kg (264 lb)

Security system ALS / ILS

The TL-A220 incorporates the patented security system ALS (Automatic Lock Security). This VMB red trigger system automatically blocks the tower in the position it is left in. Each section of lift has an ALS that blocks the section in the unlikely event of the cable breaking. For a more complete security the lifting carriage incorporates the ILS system (Inertial Lock Security)

4.7 - Elevation:

Turn the winch crank clockwise (N^1) to lift the carriage and profiles. The ALS system enable the lift to rise and automatically block the carriage and profiles whilst rising ensuring that it will never fall. This enables the cable to be without any force and means it is only used for the elevation and descent of the lift. The SRS (Sequence-Retainer-System) will also ensure that the profiles rise in sequence, one after the other.

4.8 - Hold:

The tower can be left in any intermediate position if it is necessary. Just stop turning the handle of the winch and gently turn it in an anticlockwise direction (N^2) to block the last profile risen. The ALS lock will take the pressure of the load and release strain applied on the cable.

4.9 - Lowering:

To bring the lift down you need to first turn the winch handle slightly clockwise (N^1) and at the same time pull the red ALS lock (**ALS-1**) out. This releases the blocking systems. Then turn the handle anti-clockwise (N^2), whilst maintaining the ALS lock pulled out until the profile has been completely lowered. All red ALS locks (**ALS-2, ALS-3 & ALS-C**) should be pulled out one by one whilst the handle is turned anti-clockwise (N^2) and the profiles are brought down, one by one.

If you release your finger from the ALS lock it will automatically block. In this case, repeat the first operation by turning slightly clockwise (N^1) and then anti-clockwise (N^2) whilst always pulling the red ALS lock out. It is necessary to completely lower each profile before starting to lower the next. **DO NOT** pull another red ALS lock without having completely lowered the previous profile.

4.10 - Transport:

For the transport of the tower is necessary to fold the machine lowering every profile completely. Once the towerlift is completely folded, place the legs and the struts (**A**) in their transport compartment (**S**) and tighten the legs with the security knobs (**K**), then the lift will be ready to be transported.

5. MAINTENANCE.

5.1 - Regularly check the state of the cable. If the cable has broken threads, or if it shows any signs of crushed/flattened areas, it should be changed and replaced immediately with a new one. Do not use the lift if the cables are in bad condition. Only use VMB steel cables reference: DIN 3060 torsion resistant.

5.2 - The lift is supplied from the factory completely greased. However, it is recommended to periodically grease according

to use, the gearing, the axis bearings, the spiral of the crank, and the sections.

5.3 - All lifts should undergo an annual technical inspection carried out by an authorized VMB dealer to check the certifications and general condition of all the lift's elements and security systems involved in the lift's use.

5.4 - Only use original spare parts to guarantee a continued security level. The user loses all rights to warranty if any spare parts other than originals are used or carries out any modification or alteration to the towerlift.

5.5 - To request a spare part please indicate the corresponding code which can be found in this manual together with the lift's serial number and year of manufacture.

6. GUARANTEE.

The warranty period for this lift is 2 years from the date of purchase.

PRO LIFTS S.L. promises, that from the date of purchase and during the warranty period to resolve any faults that may occur, produced through defect material or fabrication. Damage caused by improper use, product modification, third party manipulation or accidental fire are not covered by this warranty.

CONTENIDO

1. Introducción.
2. Información técnica.
3. Precauciones de seguridad.
4. Instrucciones de uso.
5. Mantenimiento.
6. Garantía.

1. INTRODUCCIÓN

Estimado cliente: Con el fin de garantizar un funcionamiento seguro y fiable de la torre elevadora TL-A220 por favor, siga cuidadosamente las instrucciones de este manual. Antes de manipular la torre elevadora, lea las instrucciones completas y tenga en cuenta la información técnica contenida en este manual. Todos los productos de VMB se someten a pruebas muy rigurosas, en condiciones estrictas y son monitorizados continuamente durante el proceso de fabricación. Con el fin de garantizar el correcto funcionamiento y seguridad de los elevadores, sólo deben ser utilizadas piezas originales del fabricante. Si se utilizan piezas que no sean las originales del fabricante, o el producto se modifica de alguna manera, el usuario pierde todos los derechos de garantía. VMB se reserva el derecho de modificar las especificaciones y las piezas del producto sin previo aviso. El tipo de modelo, año de producción y el número de serie deben ser citadas en cualquier consulta o pedido de piezas de recambio.

2. INFORMACIÓN TÉCNICA

- 2.1 - Torre elevadora **TL-A220**.
- 2.2 - Diseñada para levantar sistemas de audio, como sistemas de Line Array o PA, en sentido vertical a diferentes alturas.
- 2.3 - Carga máxima: 220 kg (485 lb).
- 2.4 - Carga mínima: 25 Kg (55 lb).
- 2.5 - Seguridad: ALS (Sistema de gatillo automático de seguridad).
- 2.6 - Altura máxima: 5.5 m (18').
- 2.7 - Altura plegada: 1,72 m (5.6').
- 2.8 - Dimensiones de la torre plegada: 0,49 x 0,49 x 1,72m (1.6 x 1.6 x 5,6')
- 2.9 - Dimensiones de la caja transporte: 0,51 x 0,51 x 1,74m (1.67 x 1.67 x 5.71')
- 2.10 - Área de la base: 2.1 x 1.6 m (6.9' x 5.2').
- 2.11 - Peso de la torre: 116 kg (255.7 lb).
- 2.12 - Soporte de carga: Brazos de carga largos (74.5cm).
- 2.13 - Material de construcción: Cuerpo principal de cuatro tramos más carro elevador en perfil de aluminio extrusionado 6082-T6. Base, patas y soportes varios, en perfiles de acero según DIN 2394. Gatillos de seguridad y poleas acanalaadas en acero ST-37.
- 2.14 - Cabestrante: 900 kg de carga máxima con freno automático de retención de la carga. Certificación CE y GS TÜV.

2.15 - Cable: Acero DIN 3060. Calidad de resistencia a la torsión 180 kg/mm².

Diámetro del cable: Ø5 mm.

2.16 - Patas estabilizadoras ajustables con soportes de goma antideslizante.

2.17 - Gatillos de seguridad para anclar las patas.

2.18 - Protección anti-óxido, imprimación

con pintura de polvo poliéster al horno. La torre puede ser suministrada con acabado natural de aluminio o negro (versión B).

2.19 - Nivel de burbuja para ajustar la verticalidad de la torre.

2.20 - Ruedas direccionales para el transporte de la torre cuando este plegada.

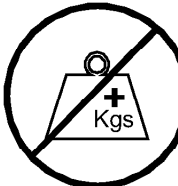
3. PRECAUCIONES DE SEGURIDAD



3.1 - La torre elevadora TL-A220 es una máquina diseñada para la elevación de cargas en dirección vertical. NUNCA se debe utilizar como plataforma elevadora de personas.



3.2 - Colocar el elevador sólo en superficies firmes y planas, verificando que está en posición vertical, utilizando el indicador de nivel de burbuja (**L**) que se encuentra en la base. Ajuste los estabilizadores (**Q**) girando las manivelas (**H**) hasta nivelar, si es necesario. Nunca utilice cuñas u otros objetos extraños para equilibrar el elevador.



3.3 - La carga máxima indicada en las características técnicas mostradas en la etiqueta de la torre o en este manual NO deben ser excedidas.



3.4 - Este elevador NUNCA debe utilizarse para elevar una carga que no ha sido correctamente revisada. Es necesario verificar que la carga está correctamente apoyada y centrada en el soporte de elevación apropiado para que el peso de la carga sólo actúe en una dirección vertical.



3.5 - Comprobar que las patas (**P**) estén situadas correctamente, y fijadas con los gatillos de seguridad (**R**) los cuales deben estar introducidos y bloqueados.



3.6 - NUNCA use el elevador sobre un vehículo o cualquier superficie móvil.



3.7 - Si existe la posibilidad de vientos fuertes o ráfagas, coloque el elevador en el suelo con firmeza y fijelo mediante tirantes tensores. Nunca fije un tirante a un vehículo o cualquier otro objeto que se pueda mover.



3.8 - NUNCA mueva el elevador mientras esté cargado. No es aconsejable llevar a cabo cualquier tipo de movimiento horizontal, ni tan sólo pequeños ajustes de posición.



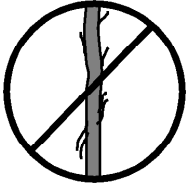
3.9 - NUNCA permita que ningún miembro del equipo o cualquier otra persona se sitúe debajo de la carga en la zona de operación de las torres elevadoras.



3.10 - Tenga cuidado con todos los obstáculos por encima de la elevación y su zona de extensión, como cornisas, balcones, letreros luminosos, etc. Es muy importante evitar la presencia de todo tipo de cables por debajo de la torre extendida.



3.11 - No usar escaleras encima del elevador ni utilizarlo como un apoyo para éstas.



3.12 - Antes de utilizar el elevador, compruebe el estado del cable. El cable no debe contener hilos rotos o mostrar signos de áreas aplastadas/aplanadas.

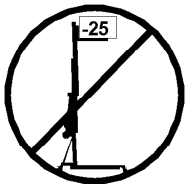
NUNCA use cables defectuosos, siempre debe cambiarlos si hay alguna duda. Utilice solamente cable de acero VMB referencia: DIN 3060. Calidad: 180kg/mm y resistente a la torsión.



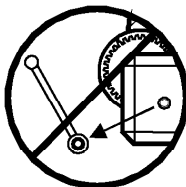
3.13 - Antes de transportar la torre, todos los tramos deben ser bajados, y las patas deben extraerse y colocarse en su posición de transporte.



3.14 - No engrasar ni lubricar el mecanismo de freno del cabestrante. Los discos de freno vienen engrasados con una solución especial resistente a la presión y al calor. No deben utilizarse otros productos, para evitar los efectos negativos sobre el mecanismo de frenado.



3.15 - La carga mínima para evitar problemas relacionados con el mecanismo de rotura es 25 kg. Sin esta carga mínima el freno no funcionará.



3.16 - NUNCA desmontar la manivela del cabestrante cuando el elevador está soportando una carga o extendido.



ORIGINAL

3.17 - Sólo deben ser utilizadas piezas de repuesto originales de VMB PRO LIFTS S.L.

4. INSTRUCCIONES DE USO.

4.1 - Coloque el elevador sobre una superficie firme y plana de la zona de trabajo sirviéndose de las ruedas direccionales de transporte (**T**).

4.2 - Afloje los pomos de transporte (**K**) y extraiga las patas (**P**) de su alojamiento para transporte (**S**) e insertelas totalmente en su posición de trabajo (**V**), comprobando que los gatillos de seguridad (**R**) se insertan y fijan la pata. Extraiga también los tirantes de apoyo especial (**A**) y colóquelos en su posición de sujeción (**E**) asegurándolos con su pasador y clip de seguridad.

4.3 - Compruebe que la torre esta en posición vertical sirviéndose del nivel de burbuja (**L**) situado en el perfil base, si es necesario ajuste la vertical de la torre con los estabilizadores (**Q**) de las patas, girando las manivelas (**H**).

4.4 - Libere los brazos de carga (**F**) y colóquelos en posición horizontal e inserte los pasadores de seguridad con sus clips.

4.5 - LA CARGA MÁXIMA PARA TL-A220 ES 220 kg (485 lb).

La torre elevadora **NUNCA** debe ser sobrecargada. La Seguridad en el Trabajo es el elemento más importante. Coloque la carga en el elevador mediante un soporte adecuado según la necesidad de modo que el peso de la carga sólo actúe en dirección vertical. La carga mínima son 25 kg.

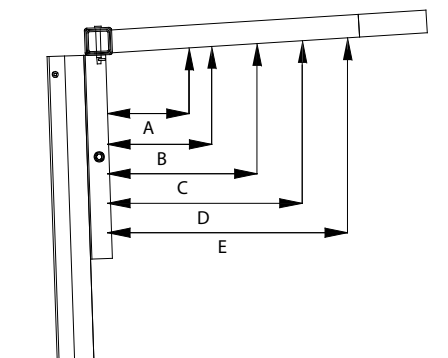
4.6 - Como colocar la carga:

Cargue siempre tan cerca de la torre como pueda. La capacidad de carga de la torre decrece cuanto más lejos este la carga separada de la torre, como se ilustra en el esquema (**4.6.1**) de la siguiente página. El cual muestra la carga en su centro de gravedad con distancias al carro elevador que sostiene los brazos y a máxima altura.

PRECAUCIÓN

Quando se utilizan dos torres para elevar un puente, descender truss o varias torres para elevar una estructura de cualquier tipo, es casi imposible que dos o más personas coordinen los cabrestantes exactamente a la misma velocidad al elevar o bajar las cargas. En un momento determinado cada torre se elevará a una altura

Diagram 4.6.1



	Distancia del centro de la carga al eje de la torre	Carga Máxima
		TL-A220
A	50 cm (1.64')	220 kg (485 lb)
B	55 cm (1.80')	200 kg (441 lb)
C	60 cm (1.97')	183 kg (404 lb)
D	65 cm (2.13')	168 kg (370 lb)
E	70 cm (2.30')	120 kg (264 lb)

diferente a la de las demás. **Por ello, es necesario que la estructura no se estire y permita estas diferencias.** Con una fijación rígida y si la diferencia de nivel es importante, la fuerza generada a partir de la manivela del cabrestante deformará la estructura y aplicará una fuerza lateral a los elevadores provocando su bloqueo y ruptura.

Sistema de seguridad ALS / ILS

El TL-A220 incorpora el sistema de seguridad patentado ALS (bloqueo automático de seguridad). Este sistema VMB de gatillo rojo bloquea automáticamente la torre en la posición que se deja. Cada tramo de elevación tiene un ALS que bloquea el tramo en el caso improbable de que el cable se rompa. Para aún más seguridad el carro también incorpora el sistema ILS de bloqueo de inercia.

4.7 - Elevación:

Gire la manivela del cabestrante en sentido horario (N^1) para elevar el carro y los tramos. El sistema de gatillos ALS le permitirá elevar todos los tramos mientras que estos se van bloqueando automáticamente, asegurando que la torre nunca caerá. Esto hace que no actúe ninguna fuerza sobre el cable mientras la torre está parada, lo que significa que solo será usado para elevar y descender la torre.

El sistema único SRS permite que los perfiles se eleven de forma secuencial u ordenada, uno detrás de otro.

4.8 - Bloqueo:

La torre puede dejarse en cualquier posición intermedia si se requiere. Una vez el sistema está elevado hasta la altura deseada tan solo deje de girar la manivela y el freno automático del cabestrante bloqueará y sujetará la carga, en este

momento gire la manivela del cabrestante en sentido anti-horario (N^2) para bloquear el último tramo con el gatillo ALS rojo. Los gatillos tomarán la presión de la carga y liberará la tensión aplicada al cable.

4.9 - Descenso:

Para descender la torre es necesario, primero girar la manivela del cabrestante ligeramente en sentido horario (N^1) para liberar el gatillo ALS rojo (**ALS-1**), a continuación girar la manivela en sentido anti-horario (N^2) mientras se sigue tirando del gatillo ALS rojo (**ALS-1**), hasta que el tramo esté completamente bajado. Todos los gatillos ALS rojos (**ALS-2, ALS-3 & ALS-C**) deben ser desbloqueados mientras se gira la manivela del cabrestante en sentido anti-horario (N^2), repita esta operación hasta descender todos los perfiles de uno en uno.

Si en el proceso se quita el mano del ALS se bloqueará automáticamente. En este caso, repita la primera operación girando ligeramente la manivela en sentido horario, desbloqueando el ALS y siguiendo en sentido anti-horario, mantener al tiempo los ALS rojos desbloqueados. Debe descender completamente cada tramo antes de empezar a bajar el siguiente.

NUNCA tire de otro ALS rojo sin haber bajado completamente el tramo anterior.

4.7 - Transporte:

Para el transporte de la torre es necesario bajar completamente todos los tramos. Una vez la torre haya sido plegada, coloque las patas y los tirantes de refuerzo especial para Line Array en su alojamiento para transporte (**S**) y apriete los pomos de presión (**K**), y la torre ya estará lista para su transporte.

5. MANTENIMIENTO

5.1 - Comprobar periódicamente el estado del cable. Si en el cable existen hilos rotos, o si muestra signos de zonas aplastadas/aplanadas, debe ser sustituido inmediatamente por uno nuevo. No use el elevador si los cables están en mal estado. Utilice solamente cable de acero DIN 3060 resistente a la torsión.

5.2 - La torre elevadora es suministrada de fábrica completamente engrasada. Sin embargo, se recomienda un engrase periódico, según el uso, de las ruedas de fricción, los cojinetes de eje, la espiral de la manivela, y los tramos.

RECUERDE: NUNCA engrasar ni lubricar el mecanismo de freno. No es necesario engrasar los discos de freno. Los discos de freno vienen engrasados con una solución especial resistente a la presión y al calor. No deben utilizarse otros productos, para evitar los efectos negativos sobre el

mecanismo de frenado.

5.3 - Todos los elevadores se someten a una inspección técnica anual llevada a cabo por un distribuidor autorizado VMB para comprobar las certificaciones y el estado general de todos los elementos de elevación y sistemas de seguridad que intervienen en el uso del elevador.

5.4 - Utilice únicamente piezas de repuesto originales para garantizar el nivel de seguridad de forma continuada. El usuario pierde todos los derechos de garantía si las piezas de repuesto utilizadas no son originales o se utilizan o se lleva a cabo cualquier modificación o alteración de la torre elevadora.

5.5 - Para solicitar una pieza de recambio indique el código correspondiente que se encuentra en este manual junto con el número de serie de la torre y el año de fabricación.

que puedan producirse, debidos a material defectuoso o fabricación. Los daños causados por un uso inadecuado, modificación del producto, la manipulación de terceros o incendio accidental no están cubiertos por esta garantía.

6. GARANTÍA

El período de garantía para este elevador es de 2 años a partir de la fecha de compra.

PRO LIFTS S.L. se compromete, que a partir de la fecha de compra y durante el período de garantía, a resolver los fallos

INHALTSVERZEICHNIS

1. Einführung.
2. Technische Daten.
3. Sicherheitsmaßnahmen.
4. Bedienungsanleitung.
5. Wartung.
6. Garantie.
7. Zertifikat.

1. EINFÜHRUNG

Sehr geehrte Damen und Herren,
die vorliegende Betriebsanleitung wurde mit dem Zweck erstellt, eine zuverlässige Bedienung des TL-A220 Hebeturms zu ermöglichen. Lesen Sie bitte die Betriebsanleitung vor der Inbetriebnahme sorgfältig durch. Bitte beachten Sie auch die technische Daten.

Unsere Produkte unterliegen strengsten Prüfungen und Kontrollen bei der Fertigung. Es sind ausschließlich Original-Ersatzteile zu verwenden. Für den Anwender werden alle Gewährleistungsansprüche aufgehoben, wenn er Nicht-Original-Ersatzteile verwendet bzw. Änderungen am Produkt selbst vornimmt.

2. TECHNISCHE DATEN.

- 2.1** - Hebeturm, Typ **TL-A220**.
- 2.2** - Das Gerät ist zum senkrechten Heben von Lasten, wie Beleuchtungskörper auf verschiedene Höhen, konzipiert worden.

- 2.3** - Zulässige Hubkraft: 220 kg (485 lb)
- 2.4** - Mindesthublast : 25 Kg.
- 2.5** - Zulässige Hubhöhe: 5.5 m (18')
- 2.6** - Mindesthöhe: 1.72 m (5.6')
- 2.7** - Gefaltete Dimensionen:
0,49 x 0,49 x 1,72m (1.6 x 1.6 x 5,6')
- 2.8** - Abmessungen Box:
0,51 x 0,51 x 1,74m (1.67 x 1.67 x 5.71')
- 2.9** - Grundplattenfläche :
2.1 x 1.6 m (6.9' x 5.2').
- 2.10** - Transportgewicht: 116 kg (244.7 lb)
- 2.11** - Werkstoffe: Aluminium 6082-T6 Profil.
Basisplatte und Ausleger aus Stahlprofil
DIN 2349. Verschlüsse aus ST-37 Stahl.
- 2.12** - Exklusive ALS System
(Pat. Pen. 200501056)
- 2.13** - Die Winde: 900/1000 kg.
- 2.14** - Seildurchmesser: Steel DIN 3060.
Qualität 180 kg/ mm²
Durchmesser: Ø5 mm
- 2.15** - Ausleger mit verstellbaren Spindeln
und rutschfesten Gummifüßen.
- 2.16** - Verankerung der Ausleger über
Sicherheitsrastbolzen.
- 2.17** - Wasserwaage zum Einstellen der
senkrechten Turmlage.
- 2.18** - Korrosionsschutz und Veredelung
durch elektrolytische Cadmierung oder
(Version B) Satinpolyester. Erhältlich in
Natur Aluminium oder.
- 2.19** - Transportrollen zum Bewegen des
Turms bei senkrechter und eingefahrener
Stellung zur Arbeitsstelle.(optional TL-A220)

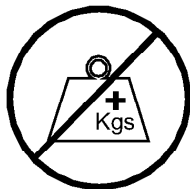
3. SICHERHEITSMABNAHMEN.



3.1 - Der TL-A220 wurde konzipiert zum Heben und Senken von vertikalen Lasten. Nutzen Sie ihn niemals zur Beförderung von Personen.



3.2 - Achten Sie darauf, dass der TL-A220 Tower auf festem, geradem Untergrund steht. Und vergewissern Sie sich mit Hilfe der Wasserwaage (F), dass er eine vertikale Position zum Boden eingenommen hat. Bei Bedarf mittels des Stellstellers (Q) durch Drehen der Spindelkurbel (H) die entsprechende Tunlage einstellen.



3.3 - Die zulässige Höchstlast, die Sie auf dem Typenschild, welche sie in der Bedienungsanleitung finden, darf niemals überschritten werden



3.4 - Niemals sollten Sie eine ungesicherte Ladung heben. Vergewissern Sie sich immer, dass die Ladung zentriert auf der Gabel aufliegt und nur in vertikaler Richtung hebt!



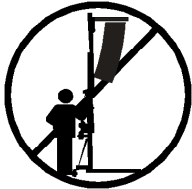
3.5 - Vergewissern Sie sich, dass die Ausleger richtig eingesteckt sind und nutzen Sie die Rastbolzen zum feststellen!



3.6 - Es ist nicht gestattet den Lift auf einem Fahrzeug mit einen mobilen Unterbau zu installieren!



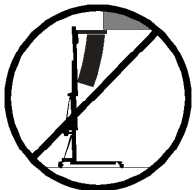
3.7 - Bei Freiluftanwendungen den Turm auf festen Boden stellen und mittels Seilanker gegen Windbelastung sichern. Niemals an Fahrzeugen die Abspannungen befestigen oder an Gegenständen, die ausweichen könnten.



3.8 - Bewegen Sie den Lift niemals unter Belastung.



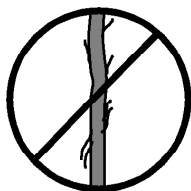
3.9 - Halten Sie sich niemals während des Hebens und Senkens in Gefahrenbereich auf.



3.10 - Achten Sie auf alle Gegenstände im oberen Hubbereich des Liftes. Achten Sie auf Balkone, Leuchtschriften und besonders auf stromführende Kabel.



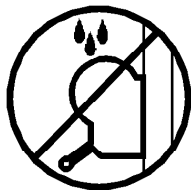
3.11 - Stellen Sie niemals Leitern an den Tower.



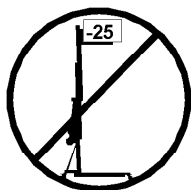
3.12 - Vor Gebrauch Seilzustand kontrollieren. Das Seil darf keine Seilbrüche oder Quetschungen aufweisen. Es dürfen auf keinem Fall Seile in einem schlechten Zustand verwendet werden.



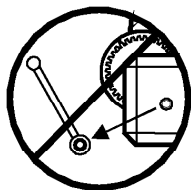
3.13 - Alle Angebauten Teile sind für den Transport einzufahren.



3.14- Ölen oder Fetten der Fallbremsen ist zu unterlassen, da diese mit einem Druck und Hitzebeständigen Material bearbeitet wurden. Andere Werkstoffe führen in der Handhabung zu negativen Effekten.



3.15 - Die maximale Belastung zur Überprüfung der Sicherungen ist 50 kg. Ohne Belastung ist die Überprüfung nicht möglich.



3.16 - Niemals die Winde, oder Teile der Winde unter Belastung demontieren.



ORIGINAL

3.17 - Es sind ausschließlich Original Ersatzteile zu verwenden. Für den Anwender werden alle Gewährleistungsansprüche aufgehoben, wenn nicht Original Ersatzteile verwendet bzw. Änderungen an Produkten vorgenommen werden.

4. Bedienungsanleitung.

4.1 - Den Hebeturm auf den Transportrollen (T) abgestützt auf eine ebene und feste Fläche an der Arbeitsstelle aufstellen.

4.2 - Die Ausleger (P) aus der Transporhalterung (S) herausnehmen und in deren Arbeitsaufnahmen (V) voll einschieben. Dabei achten Sie bitte darauf, daß sie mittels der Sicherheitsbolzen (R) befestigt sind.

4.3 - Die senkrechte Turmlage über die verstellbaren Stellsteller (Q) durch Drehen der Kurbel (H) in entsprechender Richtung zum Zentrieren der Wasserwaagenblase (F) an der Kreismitte einstellen.

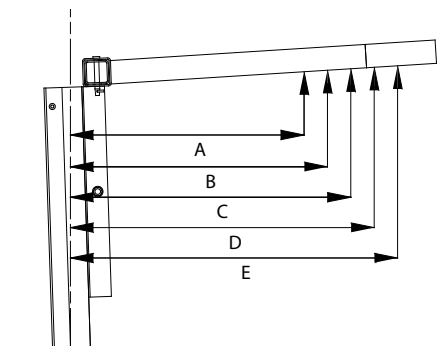
4.4 - Die Sicherheitsbolzen (L) der Lastaufnahmeausleger entfernen, die Ausleger zur Lastaufnahme (U) in einer waagerechten Position bringen und die Sicherheitsbolzen wieder anbringen.

4.5 - Die zu hebende Last auf dem Turm mittels eines geeigneten Trägers so aufstellen, dass das Lastgewicht nur senkrecht wirkt. Die maximale Last von 240 kg darf nie überschritten werden.

4.6 - Plazieren der Ladung:

Plazieren Sie die Ladung so nah wie möglich in Richtung des Towers. Die Maximalbelastung reduziert sich, gemäß dem nebenstehenden Diagramm.

Diagram 4.6.1



	Distance from the load's center to the axel of the tower	Maximum load
		TL-A220
A	50 cm (1.64')	220 kg (485 lb)
B	55 cm (1.80')	200 kg (441 lb)
C	60 cm (1.97')	183 kg (404 lb)
D	65 cm (2.13')	168 kg (370 lb)
E	70 cm (2.30')	120 kg (264 lb)

Achtung!

Werden zwei Stative dazu benutzt, eine Traverse oder mehrere Stative dazu benutzt, eine Konstruktion jedweden Typs anzuheben, ist es fast unmöglich, dass zwei oder mehrere Bediener in der Lage sind, die Winde in der exakt gleichen

Geschwindigkeit zu bedienen, um die Last anzuheben oder abzusenken.

Ab einem bestimmten Punkt wird sich jeder Tower in einer anderen Höhe als der andere befinden.

Aus diesem Grund ist es notwendig, dass die Konstruktion in der Lage ist, diese Differenz auszuhalten. Bei einer starren Fixierung und wenn der Höhenunterschied sehr groß ist, wird die Kraft, die von der Winde erzeugt wird, die Konstruktion deformieren und dazu führen, dass die Lifte, ausgelöst durch seitlich wirkende Kräfte, brechen oder blockieren.

Die Tower können in jeder notwendigen Zwischenposition belassen werden. Beenden Sie einfach das Drehen der Winde. Die automatische Bremse wird die Position der Last halten.

4.7 - Heben:

Die Transportsicherung (**O**) entriegeln. Den Lift mittels Drehen der Winde (**W**) in Uhrzeigersinn (**N1**) in die gewünschte Höhe kurbeln.

4.8 - Halten:

Die Last kann in jeder Position gehalten werden. Stoppen Sie dazu lediglich das Drehen der Kurbel. Die Automatic in der Winde und die Fallbremse sichern die Ladung. Für den Transport des Turmes ist dieser durch Senken der Einzelabschnitte herunterzufahren. Es ist sehr wichtig den

Schlitten in seiner Parkposition wieder zu verriegeln (**B**). Die Ausleger entsperren und diese in ihre Transportstellung (**S**) bringen. Die Befestigungsschraube anziehen.

4.9 - Senken:

Zum Transport die Sicherung (**O**) wieder einrasten die Handkurbel der Winde gegen den Uhrzeigersinn drehen, bis der Lift in einer Endposition ist. Der Lift kann in jeder beliebigen Zwischenstellung angehalten werden. Durch kurzes anheben der Ladung mittels der Winde lässt sich ALS - Lock entriegeln (rot). Drücken Sie diese und lassen Sie die Last mittels Winde ab. Sollte der ALS – Lock blockieren heben Sie die Last erneut an und wiederholen Sie den Vorgang.

5. Wartung.

5.1 - Regelmäßig den Seilzustand kontrollieren. Weist ein Seil Drahtbrüche bzw. Quetschungen auf, ist es sofort durch ein neues zu ersetzen. Unter keinen Umständen den Hebeturm mit Seilen in schlechtem Zustand verwenden.

Nur verwindungssteifes Stahlseil nach DIN 3060 verwenden.

5.2 - Der Hebeturm wird werkseitig komplett geschmiert geliefert. Es wird jedoch

empfohlen, regelmäßig (je nach Bedarf) das Zahnrad des Winde, die Wälzlager der Antriebswelle und Hülse, das Kurbelgewinde und die Abschnitte zu schmieren.

Achtung: Die Bremsscheiben nicht einölen oder fetten !!!

5.3 - Der Hebeturm TL-A220 sollte von einer Fachkraft mindestens einmal jährlich geprüft werden.

5.4 - Für eine kontinuierliche Betriebssicherheit sind ausschließlich Original – Ersatzteile zu verwenden. Alle Gewährleistungsansprüche sind für den Anwender aufgehoben, wenn er Nicht- Original – Ersatzteile verwendet bzw. Änderungen am Produkt selbst vornimmt.

5.5 - Für die Bestellung von Ersatzteilen ist stets dessen Bestellnummer anzugeben, welche den Stücklisten-Blättern dieser Anleitung zu entnehmen ist.

VMB Service Deutschland:

Tel : 04442 - 92900

Fax: 04442 - 929090

6. Garantie.

Ab Kaufdatum und innerhalb der Garantiezeit beim Händler beseitigt die PRO LIFTS S.L. alle material-order herstellungsbe-

dingten Mängel durch Reparatur oder Austausch.

In Europa gilt eine Garantiezeit von mindestens 24 Monaten.

Von der garantie ausgenommen sind Schäden aufgrund von unsachgemäßen Gebrauch, Verschleiß oder Eingriffen Dritter. Die Garantie umfasst keine Verbrauchsmaterialien und Mängel, die den Wert oder die Gebrauchstauglichkeit nur unerheblich beeinträchtigen.

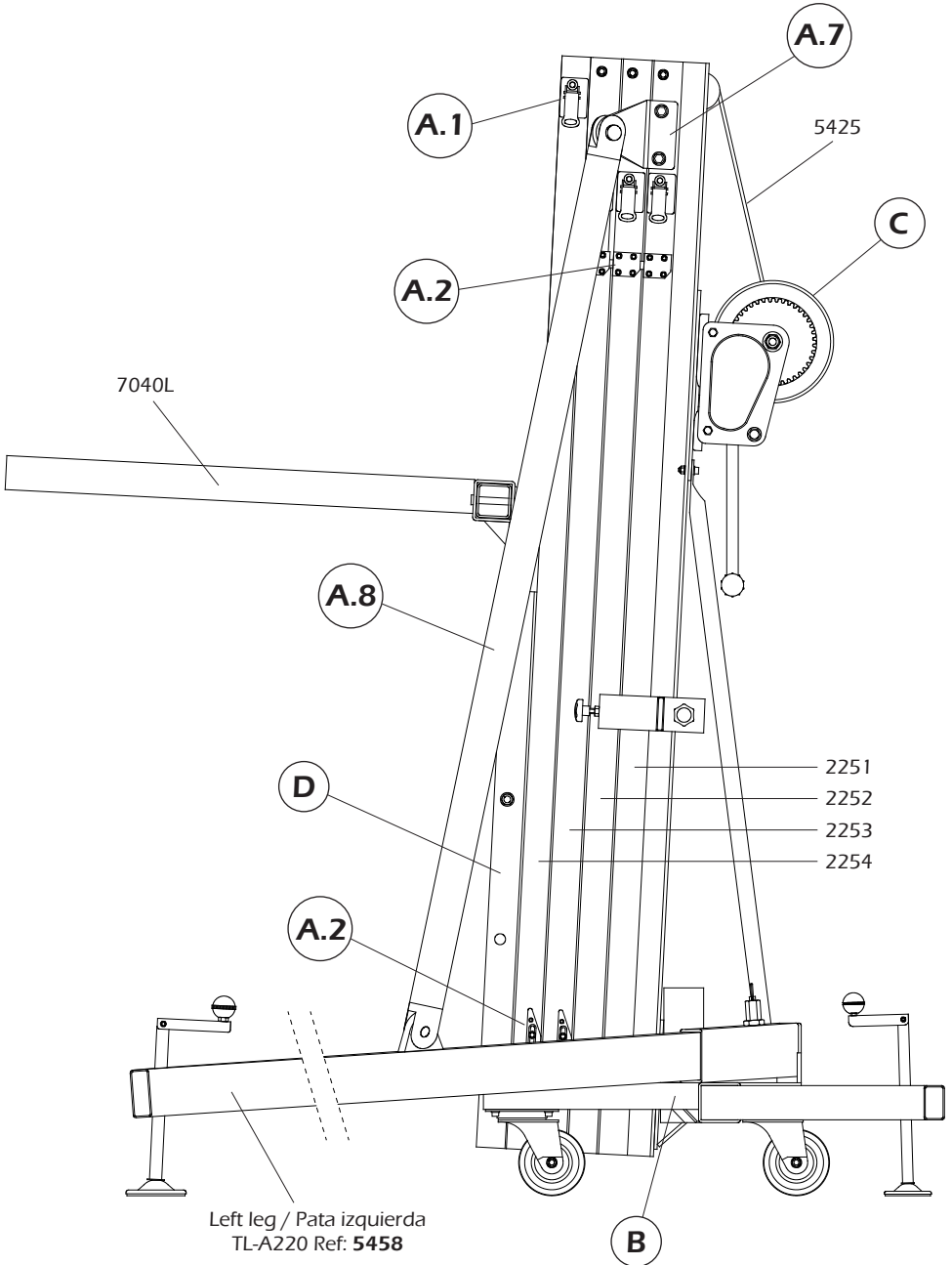
7. Zertifikat

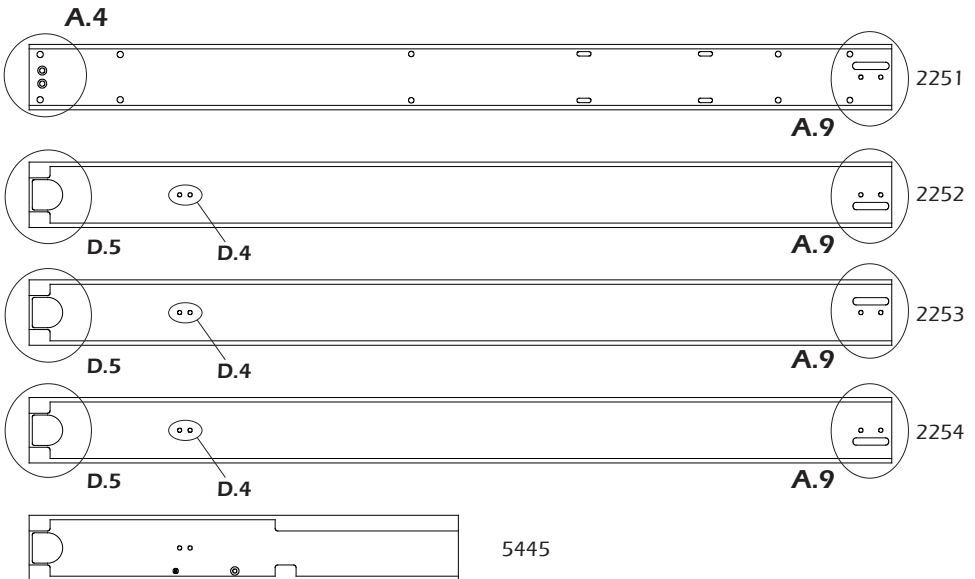
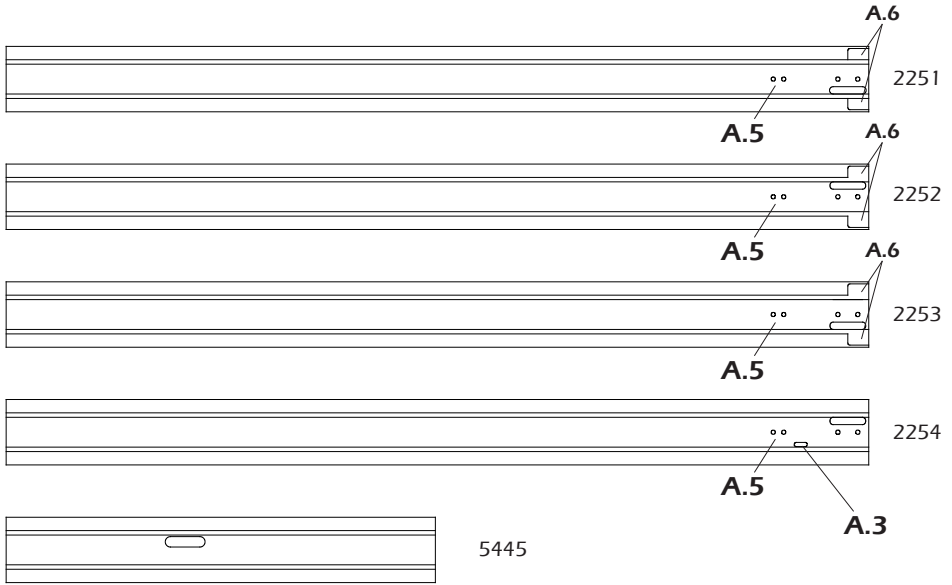
BGV-C1

BGG-912

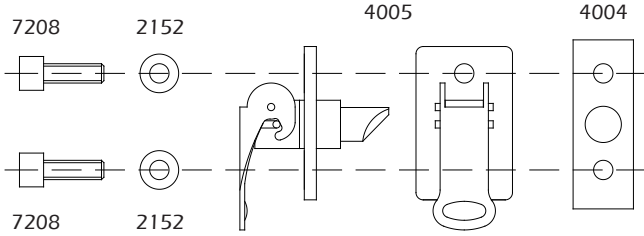
EC Conformity Declaration pursuant to the EC Machinery Directives 89/392/CE and 98/37/CE: Manual lifters



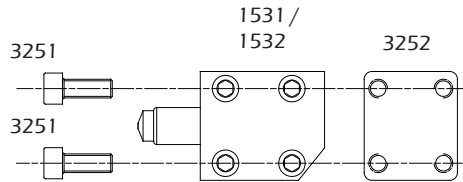
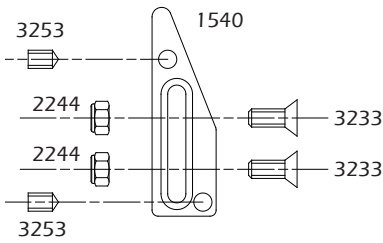
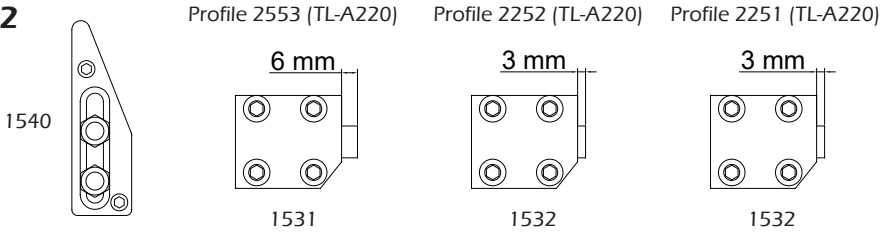




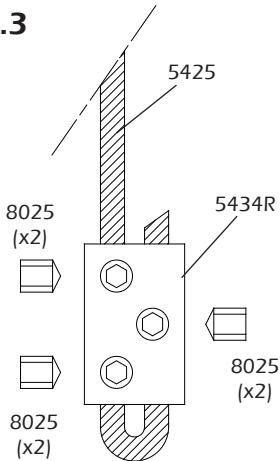
A.1



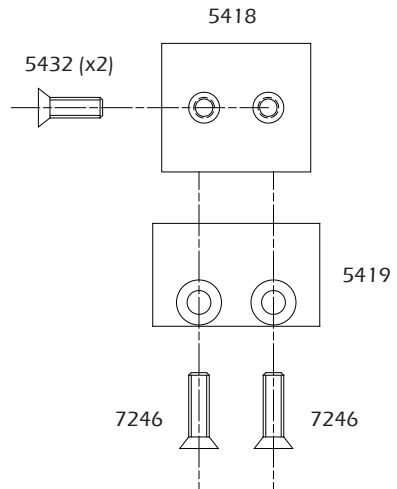
A.2

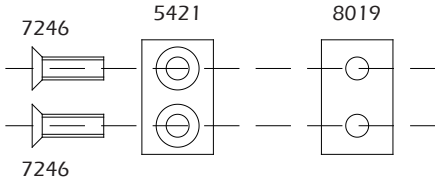
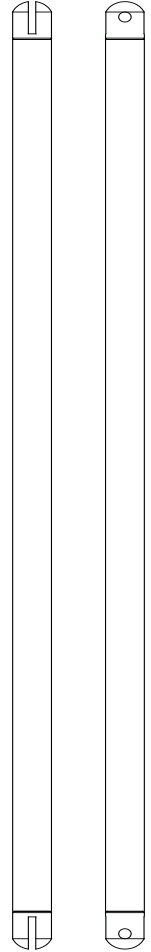
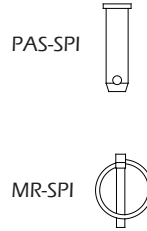
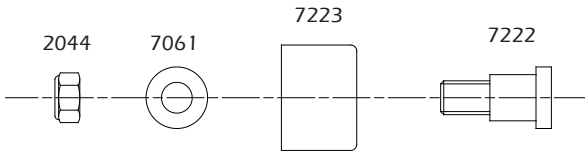
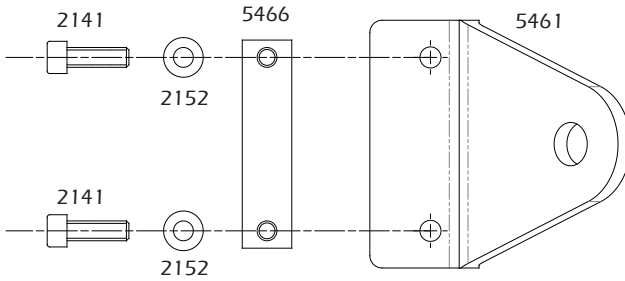
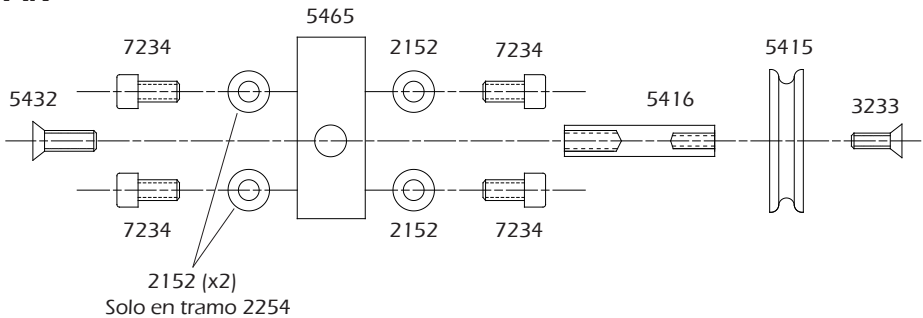


A.3



A.4

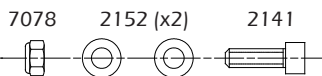
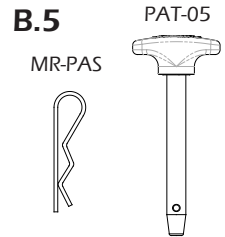
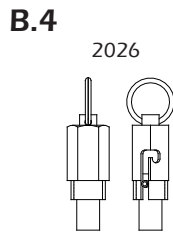
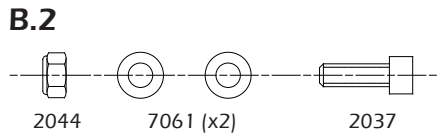
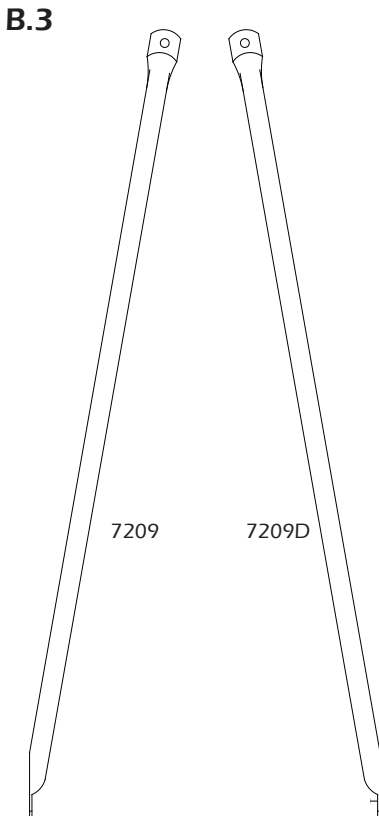
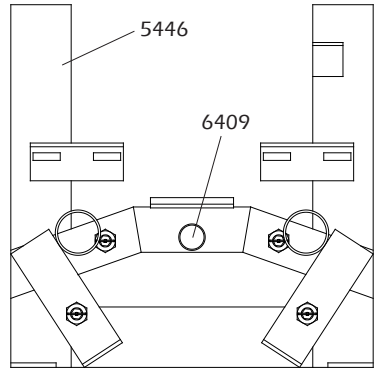
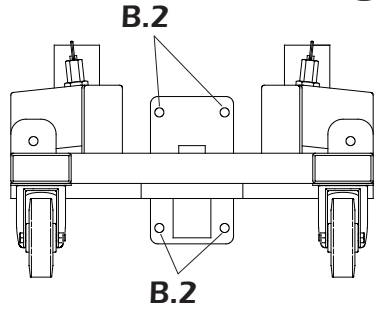
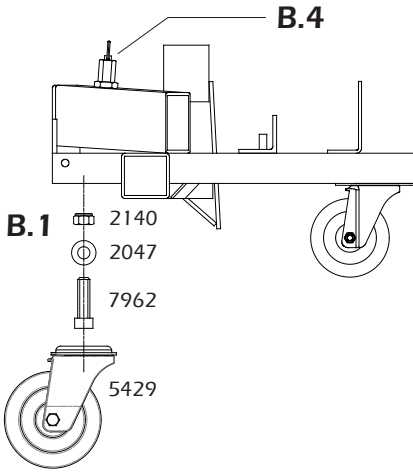


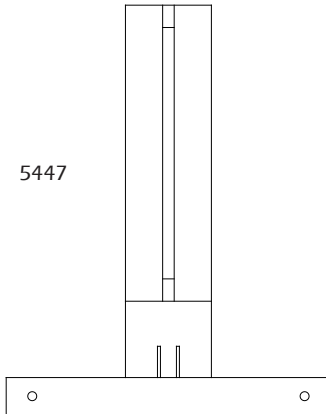
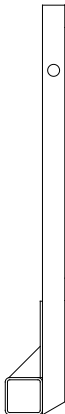
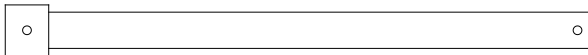
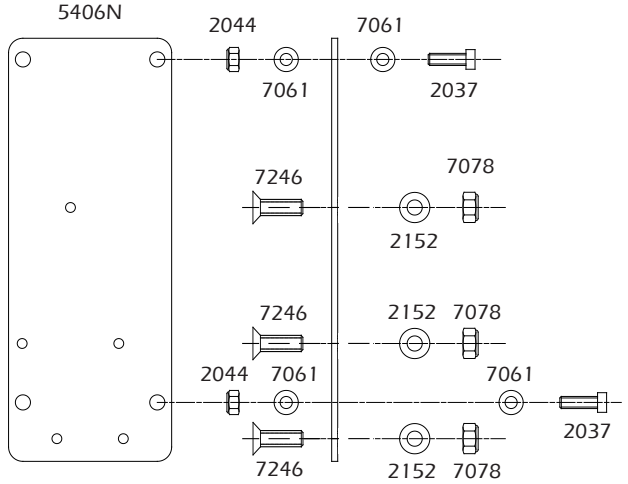
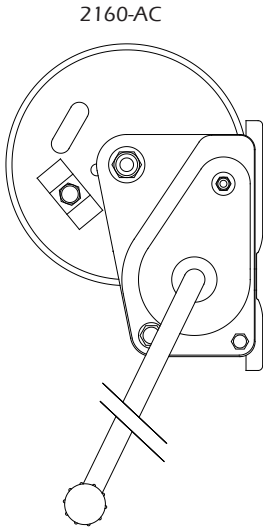
A.5**A.8****A.6**5460
(x2)**A.7****A.9**



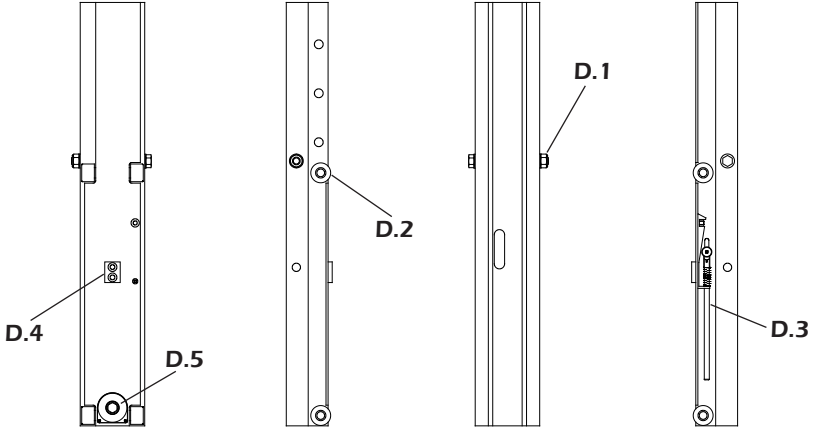
TL-A220

B

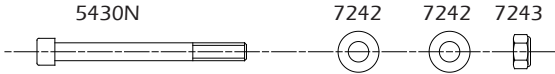




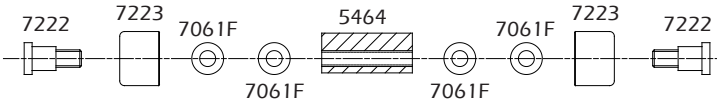
5445



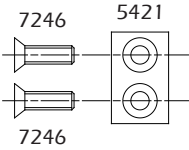
D.1



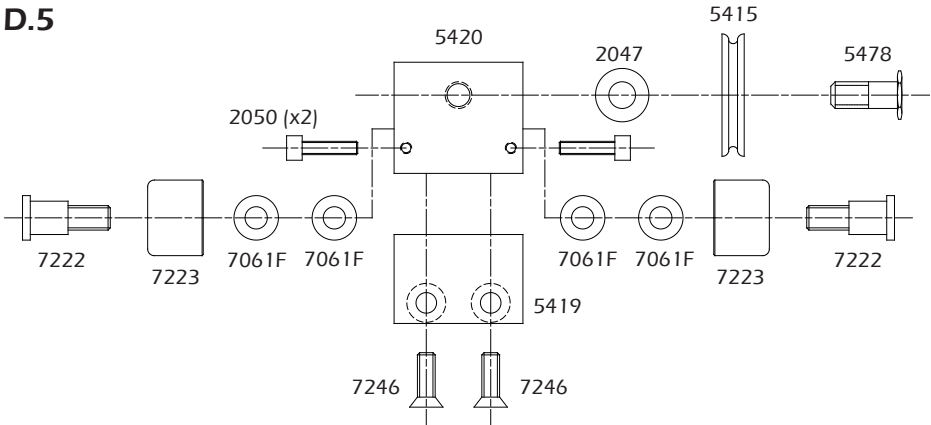
D.2



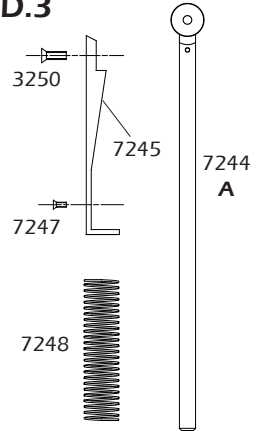
D.4

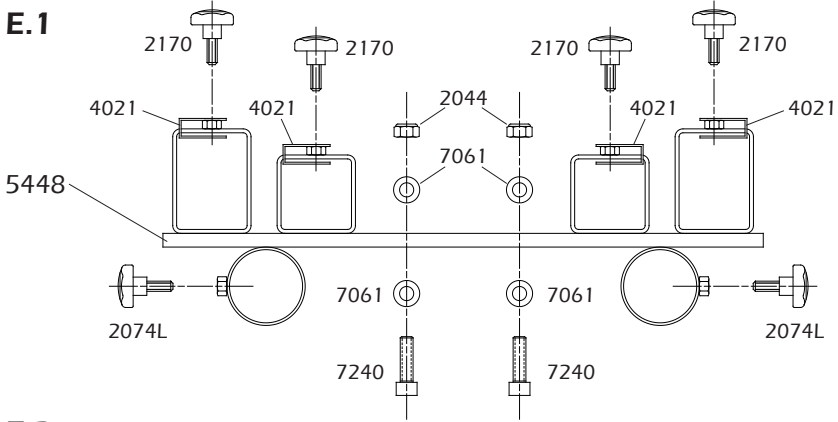
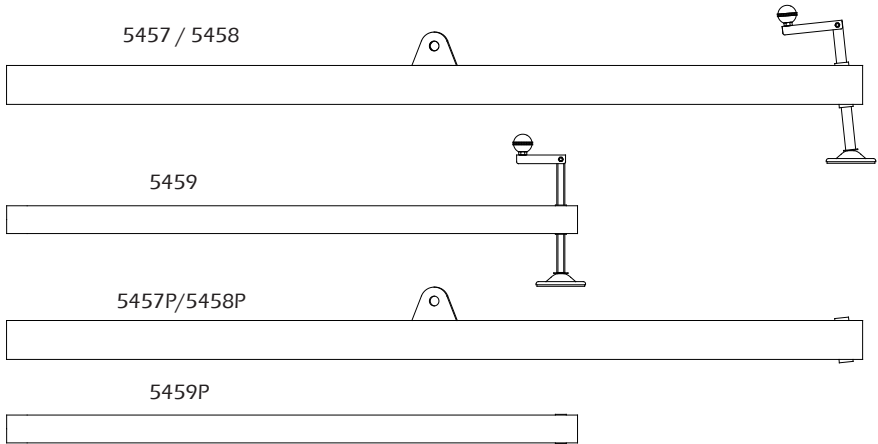
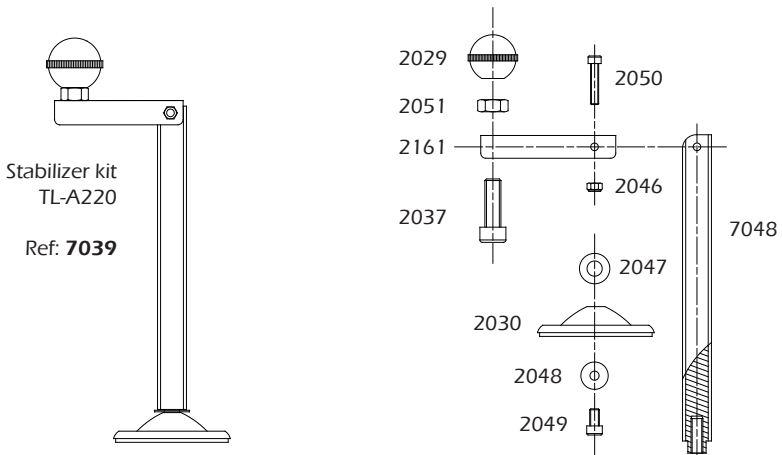


D.5



D.3



E.1**E.2****E.3**

SPARE PARTS LIST / LISTA DE REPUESTOS

TL-A220

Code	Description GB / USA	Descripción ES
1531 (B)	SRS Unit Profile 4 (B black)	Pieza Retentor tramo 3 (B Negro)
1532 (B)	SRS Unit Profile 1, 2 & 3 (B black)	Pieza Retentor tramo 1, 2 y 3 (B Negro)
1540 (B)	SRS Unlock (B black)	Desbloqueador sistema SRS (B Negro)
2026	Safety catch	Gatillo de seguridad
2029	Crank nob Ø34	Pomo baquelita estabilizador patas Ø34
2030	Stabilizer round plate	Platillo de apoyo estabilizador patas Ø84
2037	M10x30 Allen screw	Tornillo allen M10x30
2044	M10 Auto-block nut	Tuerca autoblocante M10
2046	M5 Auto-block nut	Tuerca autoblocante M5
2047	M12 Washer	Arandela M12
2048	M6 Washer	Arandela M6
2049	M6x10 Allen screw	Tornillo allen M6x10
2050	M5x25 Allen screw	Tornillo allen M5x25
2051	M10 Nut	Tuerca M10
2074L	Knob with long nylon screw (25mm)	Pomo con rosca larga de nylon (25mm)
2140	M12 Auto-block nut	Tuerca autoblocante M12
2141	M8x25 Allen screw	Tornillo allen M8x25
2152	M8 Washer	Arandela M8
2160-AC	900 Kg Winch	Cabrestante 900 Kg
2161	Steel hand crank	Manivela estabilizador patas
2170	Screw knob	Pomo con rosca
2244	M6 Auto-block nut	Tuerca autoblocante M6
2251 (B)	Base profile 1 (B Black) TL-A220 (1648mm)	Tramo 1 Base (B Negro) TL-A220 (1648mm)
2252 (B)	Profile 2 (B Black) TL-A220 (1648mm)	Tramo 2 (B Negro) TL-A220 (1648mm)
2253 (B)	Profile 3 (B Black) TL-A220 (1648mm)	Tramo 3 (B Negro) TL-A220 (1648mm)
2254 (B)	Profile 4 (B Black) TL-A220 (1648mm)	Tramo 4 (B Negro) TL-A220 (1648mm)
3233	Conic screw M6x16	Tornillo cabeza cónica M6x16
3250	M8x20 Conic screw	Tornillo cabeza cónica M8x20
3251	M6x16 Allen screw	Tornillo allen M6x16
3252	SRS screwed plate	Pletina roscada Retentor
3253	M6x10 Headless allen bolt	Tornillo allen sin cabeza M6x10
4004	ALS fixation alluminium piece	Pieza roscada aluminio fijación gatillo ALS

Code	Description GB / USA	Descripción ES
4005	ALS catch lock	Gatillo ALS
4021 (B)	Tightening knob protector (B Black)	Protector apriete pomos (B Negro)
5406N (B)	Winch fixation plate	Placa porta-cabrestante
5415	Special pulley Ø55	Polea especial Ø55
5416	Steel axe Ø12x58	Eje de acero Ø12x58
5418	Alluminium stop holding piece	Pieza de aluminio sujeta tope
5419	Alluminium stop piece	Tope de aluminio
5420	Alluminium stop holding piece	Pieza de aluminio sujeta tope
5421	Alluminium stop piece	Tope de aluminio
5425	Steel cable Ø5 x 14.2 m	Cable de acero Ø5 x 14.2 m
5429	Wheel Ø100	Rueda Ø100
5430N	M14x150 Allen screw	Tornillo allen M14x150
5432	M8x20 Conic screw	Tornillo cabeza cónica M8x20
5434R	Cable grip (6 screws)	Pieza fijación cable (6 Tornillos)
5445 (B)	TL-A220 Lifting carriage (B Black)	Carro elevador TL-A220 (B Negro)
5446 (B)	TL-A220 Base (B Black)	Base TL-A220 (B Negro)
5447 (B)	Fork support (B Black)	Soporte brazos de carga (B Negro)
5448 (B)	Legs support (B Black)	Soporte transporte patas (B Negro)
5457 (B)	Complete long right leg (B Black)	Pata larga derecha completa (B Negro)
5457P (B)	Long right leg profile (B Black)	Perfil pata larga derecha (B Negro)
5458 (B)	Complete long left leg (B Black)	Pata larga izquierda completa (B Negro)
5458P (B)	Long left leg profile (B Black)	Perfil pata larga izquierda (B Negro)
5459 (B)	Complete short leg (B Black)	Pata corta completa (B Negro)
5459P (B)	Short leg profile (B Black)	Perfil pata corta (B Negro)
5460 (B)	Reinforcement frontal legs strut (B Black)	Tirante refuerzo frontal a patas (B Negro)
5461 (B)	Fixation piece for strut (B Black)	Oreja soporte tirante refuerzo frontal (B Negro)
5464	Alluminium support for carriage rollers	Soporte de aluminio para rodillos de nylon carro
5465	Alluminium M12 axel support	Pieza de aluminio soporte eje M12
5466	Screwed piece for strut's fixation	Pieza fijación oreja de tirante de refuerzo
5478	Special thin head screw M12x30	Tornillo especial cabeza fina M12x30
6409	Spirit level Ø30mm	Nivel de burbuja Ø30mm
7039	Complete stabilizer	Estabilizador completo
7040L (B)	Long load support fork (B Black) (74.5cm)	Brazo de carga largo (B Negro) (74.5cm)
7048	M18 Threaded bolt	Perno roscado M18

Code	Description GB / USA	Descripción ES
7061	M10 Washer	Arandela M10
7061F	M10 Thin washer for adjustments	Arandela fina de ajuste M10
7078	M8 Auto-block nut	Tuerca autoblocante M8
7208	M8x35 Allen screw	Tornillo allen M8x35
7209 (B)	Left reinforcement strut (B Black)	Tirante de refuerzo izquierdo (B Negro)
7209D (B)	Right reinforcement strut (B Black)	Tirante de refuerzo derecho (B Negro)
7222	Special screw for nylon roller	Tornillo especial para rodillo de nylon
7223	Nylon roller	Rodillo nylon
7234	M8x16 Screw	Tornillo M8x16
7240	M10x35 Allen screw	Tornillo allen M10x35
7242	M14 Washer	Arandela M14
7243	M14 Auto-block nut	Tuerca autoblocante M14
7244A	Inertial brake lock (Ø21mm disk)	Varilla freno de inercia (Disco Ø21mm)
7245	Brake lock support	Soporte varilla freno de inercia
7246	M8x25 Conic screw	Tornillo cabeza cónica M8x25
7247	M5x10 Conic screw	Tornillo cabeza cónica M5x10
7248	Brake spring	Muelle freno de inercia
7962	M12x40 Allen screw	Tornillo allen M12x40
8019	Threaded alluminium piece inner stop	Pletina roscada tope interior de aluminio
8025	M8x10 Headless allen bolt	Tornillo allen sin cabeza M8x10
MR-PAS	'R' Clip	Clip de seguridad 'R'
MR-SPI	Ring safety clip	Clip de seguridad anillo
PAS-SPI	Fastener steel pin Ø16 x 65.5mm	Pasador de acero Ø16 x 65.5mm
PAT-05	Magnetic steel pin Ø10x84.5mm	Pasador acero imantado Ø10 x 84.5mm

REMEBER TO QUOTE THE TYPE, PRODUCTION YEAR AND SERIAL NUMBER OF THE TOWERLIFT.

RECUERDE CITAR EL MODELO, EL AÑO DE PRODUCCIÓN Y EL NÚMERO DE SERIE DE LA TORRE ELEVADORA.

Vergessen Sie nicht den MODELLJAHR DER PRODUKTION und Seriennummer des HEBETURM zitieren.



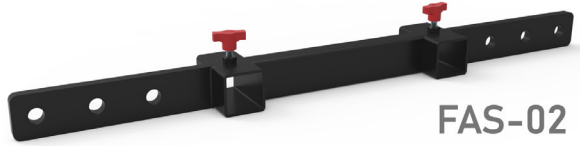
TL-A220

ACCESSORIES / ACCESORIOS



FAS-01

Special support to lift PA systems with the forks.



FAS-02

Special support to lift PA systems with the forks.



BC-075L

TL series load fork.



PR-01

Angle support for FAS-01 & FAS-02.



PS-1TR

U piece for transverse load.



PS-2TR

U piece for longitudinal load.



PS-360

U piece for any load position. Multiply points 360°.



GS-PRO

3250kg TL-A shackle (5/8).



RH-2

Transport kit for TL-054, TL-056 & TL-A220.



Test report about an acceptance inspection

Device typ: Towerlift
Typ: TL-A 220
Fabrikator: Prolifts S. L.
Pol. Ind. Picassent
Calle 7
E-46220 Picassent
VALENZIA

Technical specifications: charge maximum: 220 kg
tare: 95 kg
minimum high: 1,72 m
maximum high: 5,50 m
Serial Number: 059171
Year of manufacture: 2009

Foundation : BGV C1, BGG 912

Test result: The accomplishment of the towerlift complies the safty-related receivables of the BGV-C1.

Clue: At each towerlift is an EG-declaration of conformity to deliver.

Bevor the towerlift is commissioning at first is an optical control from an assessor after BGG 912 necessary.

Berlin, 15.10.2009





facebook/vmblifts



@VMBLifts



*For further information follow the advise of our technicians:
Para más información consulte con nuestros técnicos en:*



PRO LIFTS S.L.

C/ Ciudad de Barcelona N°19
Pol. Ind. Fuente del Jarro
46988 Paterna (Valencia) Spain
Tel. Export: +34 96 171 81 86
Tel. Nacional: 96 171 81 83

email: info@prolifts.es web: www.prolifts.es